

# DATA SHEET

Description: Male Header connector.

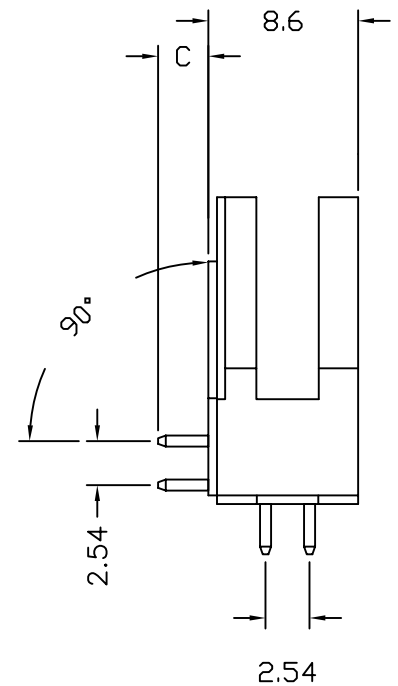
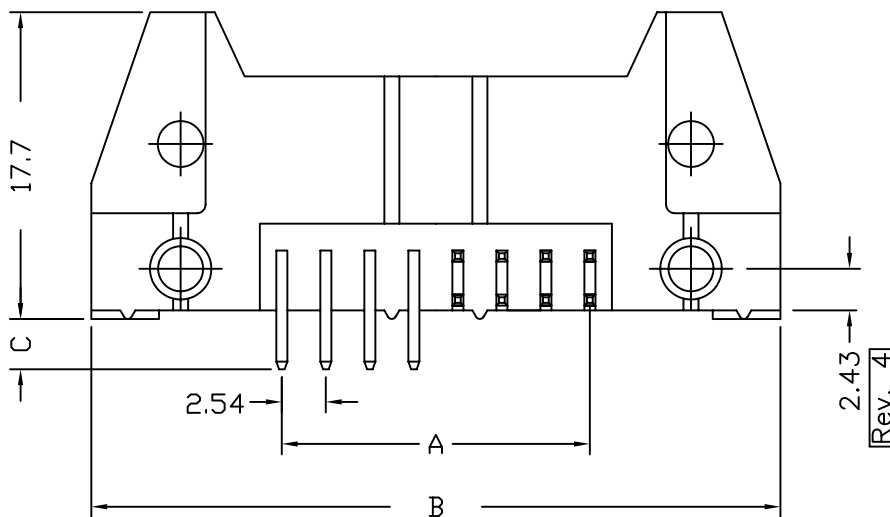
Part No. Speed : SPMH xx A/S-3000  
Project No. Speed :

Part No. customer :  
Project No. customer :

Data sheet No.: DBSP 005      Drawn : Derek McGann  
Revision : 4                      Checked :  
Date : 03.10.2006              Page : 1 of 1



Speed Electronics Ltd.  
Gort Road Industrial Estate  
Ennis Co. Clare Ireland  
Tel: 00 353 (0)65 6869044  
Fax: 00353 (0)65 6869446



$$C = 2.9 \pm 0.2 \text{ or } 4.5 \pm 0.2$$

Withstanding voltage : 1000V DC or AC peak  
Current rating : 1.0A  
Contact resistance : 20mOhm  
Insulation resistance : 5000MOhm at 100V  
Normal operating temperature: -40 degree  
to +105 degree centigrade

Plastic Material: PBT 20% GF  
Manufacturer : Bayer  
Material : Pocan B4225  
Product rating : UL-94 V-O  
File no. : E41613

	A	B±0.2
10	10.16	32.16
14	15.24	37.24
16	17.78	39.78
20	22.86	44.86
26	30.48	52.48
34	40.64	62.64
40	48.26	70.26
50	60.96	82.96
60	73.66	95.66

Data sheets, technical solutions, documentation and samples are intellectual property of Speed Electronics, Ltd. and Speed Elektronik GmbH. It is permitted to use these documents for information and approval matters only. Passing on to third party or a usage to other matters is strictly forbidden.