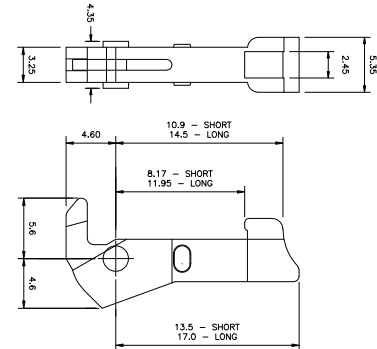


No. of Contacts	A	B
10	10.16	32.16
14	15.24	37.24
16	17.78	39.78
20	22.86	44.86
26	30.48	52.48
34	40.64	62.64
40	48.26	70.26
50	60.96	82.96
60	73.66	95.66

C = 2.9 or 4.5



Specifications

Material

Contacts: Phosphor Bronze
 Insulator: PBT, glass reinforced, UL94V-0

Electrical

Current Rating: 1.0A
 Contact Resistance: 20mOhm max.
 Insulation Resistance: 5000MOhm min.
 Withstanding Voltage: 1000V AC for 1 minute
 Operating Temperature: -40°C to + 105°C

SPMHxxA-3000

- Not used: 0 (Standard)
- Latches: 0 = Without latches
1 = With short latches
2 = With long latches
- Pin length: 0 = 2.9mm (Standard)
1 = 4.5mm
- Requirement level: 1 = RL1 = gold plated, 500 mating cycles
2 = RL2 = gold plated, 250 mating cycles
3 = RL3 = gold plated, 50 mating cycles
4 = RL4 = tin plated, 50 mating cycles
- Style: A = Angled
- No. of contacts

