

DATA SHEET



Description: Box Header connector.

Part No. Speed : SPBH xx A/S

Project No. Speed :

Part No. customer :

Project No. customer :

Data sheet No.: DBSP 003

Revision : 6

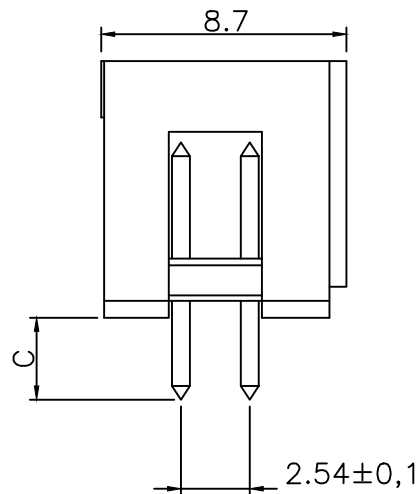
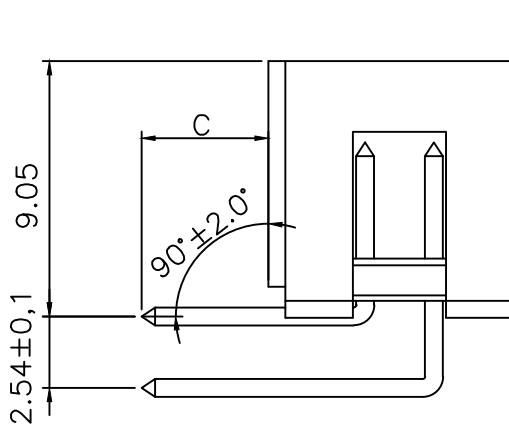
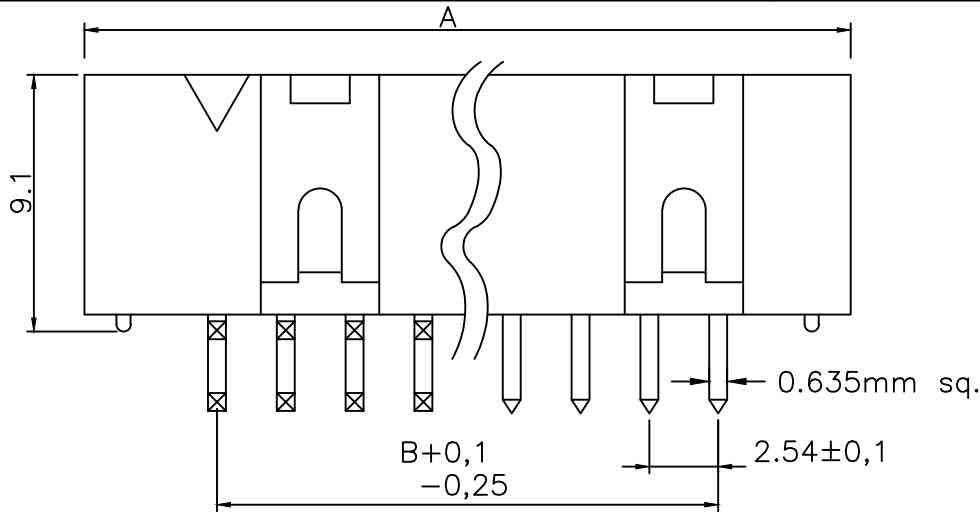
Date : 08.12.2015

Drawn : Derek McGann

Checked :

Page : 1 of 1

Speed Electronics Ltd.
Gort Road Industrial Estate
Ennis Co. Clare Ireland
Tel: 00 353 (0)65 6869044
Fax: 00353 (0)65 6869446



C = 2.90±0.2mm OR 4.50±0.2mm

B	10.16	15.24	17.78	22.86	30.48	40.64	48.26	60.96
A	19.56	24.64	27.18	32.26	39.88	50.04	57.66	70.36
	10	14	16	20	26	34	40	50

Performance Rating

Withstanding voltage : 1000V DC or AC peak

Current rating : 1.0A

Contact resistance : 20mOhm

Insulation resistance : 5000MOhm at 100V

Normal operating temperature: -40 degree to +105 degree centigrade

Plastic Housing Specification

Plastic Material: PBT 20% GF

Manufacturer : Bayer

Material : Pocan B4225

Product rating : UL-94 V-0

File no. : E41613

Contact Specification

Contact: Copper Alloy

Plating: Gold and/or Tin

over a Nickel Base

RoHS compliant